



Contact: Kirsty Brown
Telephone: (08) 8226 3809
Email: kirsty.brown@health.sa.gov.au

Public Health
Citi Centre Building
11 Hindmarsh Square
Adelaide SA 5000
PO Box 6
Rundle Mall SA 5000
DX 243
Tel 08 8226 7100
Fax 08 8226 7102
ABN 97 643 356 590
www.health.sa.gov.au

Our reference: 2013-13143

16 December 2013

Adam Prescott
Principal Engineer
Suncoast Waste Water Management
59 Industrial Ave
KUNDA PARK QLD 4556

RE: OZZIKLEEN PUMP SUMPS; PT850, PS1000, PS1500, & PT4000

Dear Adam,

I refer to your application for a renewal approval of the above product.

I advise that, pursuant to the South Australian Public Health (Wastewater) Regulations 2013, an approval is issued to manufacture, sell, and install the following sized vertical polyethylene pump wells; 850L, 1225L, 1640L & 4150L.

The approval is subject to the following conditions:

- 1. The pump sumps contain an access lid, inspection openings and inspection cover and have the following dimensions:

	PT850	PS1000	PS1500	PT4000
Wall Thickness	12mm	18mm	18mm	18mm
Overall Height	2300mm	1825mm	2405mm	2340mm
Shoulder height	2300mm	1535mm	2115mm	1900mm
Internal Diameter	726mm	1074mm	1074mm	1864mm
Access hatch diameter	710mm	450mm	450mm	520mm x 520mm
Inlet invert (bottom)	1337mm	747mm	747mm	465mm
Emergency Storage Vol.	642L	1132L	1676L	3548L

- 2. Compliance is required with:
 - 2.1. The plans and specifications submitted.
 - 2.2. Installation requirements of the On-site Wastewater System Code.
 - 2.3. The manufacturers' and certifying engineer's installation requirements including anti-flotation protection measures and vehicular loading restrictions.
 - 2.4. All relevant standards and codes
 - 2.5. Conditions of this approval.
- 3. The manufacturer shall provide the following information to the owner of the premises at which the system is installed:
 - 3.1. A copy of the installation/operation manual for the pump sumps.

- 3.2. A copy of any additional Department of Health and Ageing (DHA) guidelines and requirements including a copy of the section of this approval titled 'Installation, operation and maintenance requirements of OzziKleen pump sumps'.
4. Other requirements for the approved product as are follows:
- 4.1. Lids and access openings are to be fitted so as to be childproof.
- 4.2. All pumps and electrical controls supplied with the unit and all related attachments are to be suitable and durable for their intended purposes and operating environment as well as complying with all relevant codes and standards.
5. Modification of the design of the unit or any of its associated components requires an approval by the DHA.
6. Pursuant to the South Australian Public Health (Wastewater) Regulations 2013, the DHA reserves the right to vary any of the above approval conditions and require the repair, replacement, rectification or alteration of the pump sump or any part thereof should at any time:
- 6.1. not be manufactured, installed, operated or maintained in accordance with the approval conditions,
- 6.2. be defective and not able to perform the functions for which the approval was issued,
- 6.3. operate in a manner is prejudicial to public and environmental health, or causes environmental nuisance.
7. Pursuant to South Australian Public Health (Wastewater) Regulations 2013, approval is granted for a period of **five years** from the date of this approval and will lapse unless renewed by submission of an application and receipt of an approval from the DHA prior to the expiry date.
8. This approval is not to be used for any advertising purposes, and is not transferable.

Approved by:



(Kamran Mangi) Date: 16 December 2013

Acting Manager, Wastewater Management
Delegate of the Minister for Health & Ageing

References: *All information provided by Suncoast Waste Water Management.*

Attachments: *Drawings and schematic diagrams provided by Suncoast Waste Water Management – PT850, PS1000, PS1500, & PT4000*

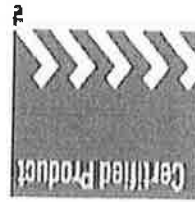
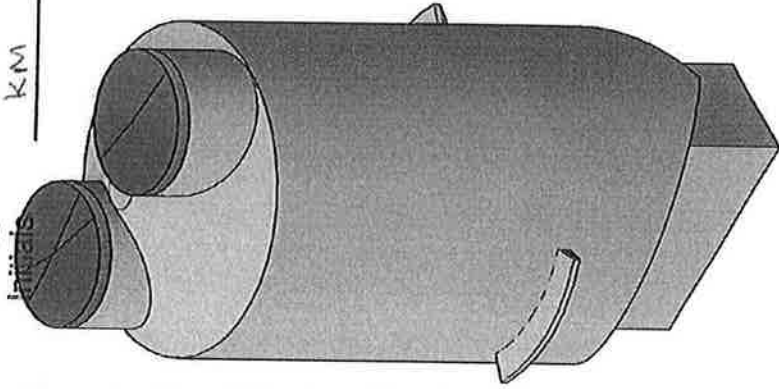
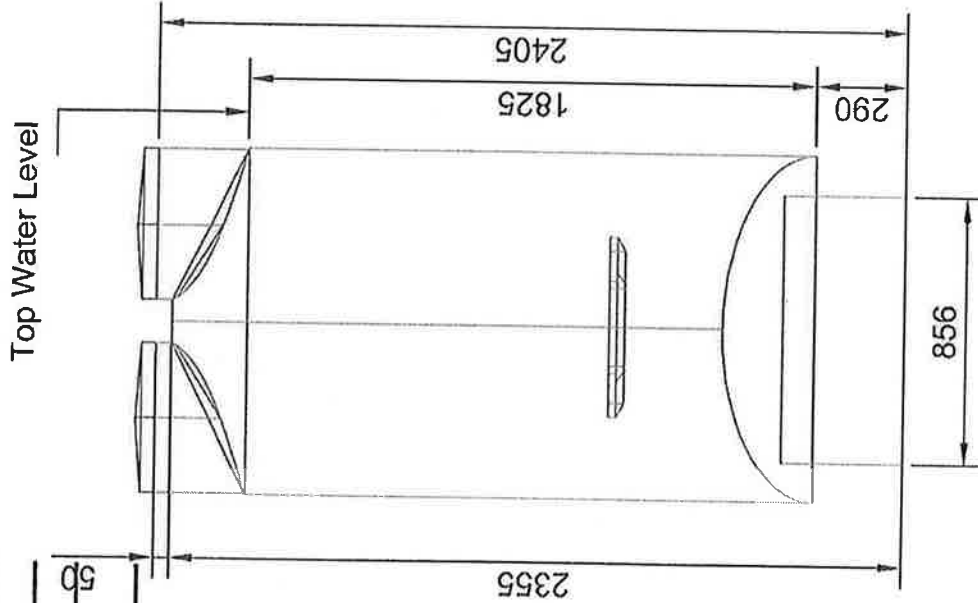
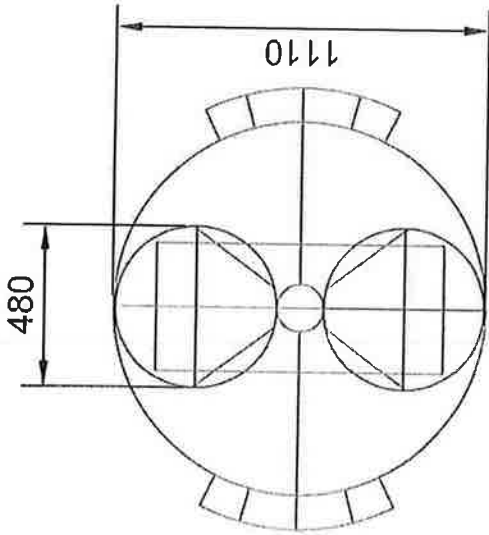
INSTALLATION, OPERATION AND MAINTENANCE REQUIREMENTS OF OZZIKLEEN PUMP SUMPS

- Note 1:** The installation of the system, together with other components of any wastewater system, requires approval from the relevant authority.
- Note 2:** The manufacturer is to supply installation information with each unit offered for sale.
- Note 3:** The inlet of the system and the pump stop and start levels must be appropriately located such that the necessary emergency capacity of the systems is achieved.
- Note 4:** The pump sump must be safely anchored to the ground to avoid floatation.
- Note 5:** The system is not to be installed in trafficable areas unless further information supporting the installation is supplied by the applicant and accepted by the relevant authority.
- Note 6:** The system, once installed, must be maintained in a fully operational and sanitary state at all times by the owner of the premises.
- Note 7:** Where the system is installed to serve other than single domestic premises the relevant authority may impose additional requirements.

Minister for Health (Delegate)

SA K. Manoj

Approved: K. Manoj
 Date: 16/12/13
 WCS: 2013-13143
 Attachment of: 1/4
 Initials: KM



**OZZI KLEEN
 PUMP CHAMBER
 (HOLDING TANK)
 MODEL PS1500
 1640 LITRE CAPACITY**

**Australian
 Standard
 AS/NZS 1546.1
 Lic. SMK 20032
 SAI Global**

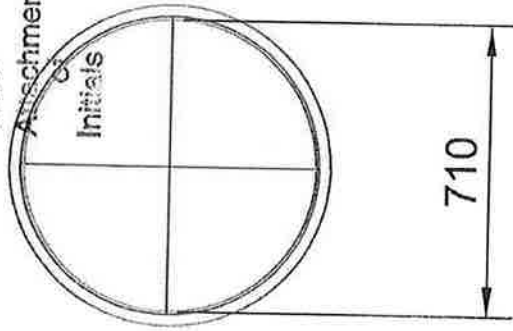
DATE	DESCRIPTION	REV.	BY
13/12/13	MODEL NO. REVISED	2	YH
08/08/08	GENERAL REVISION	1	DC

CLIENT	GENERAL	DESIGN	MC
58 INDUSTRIAL AVE KUNDA PARK QLD 4556 TEL +61 7 5456 4050 FAX +61 7 5456 4077 www.ozziclean.com	GENERAL	DRAWN	DC
PROJECT	COLLECTION WELL PS1500	CHKD	MC
TITLE	GENERAL ARRANGEMENT	DATE	13/12/13
DWG NO.	GA-PS1500-H10	SCALE	NIS

Suncoast Waste Water Management

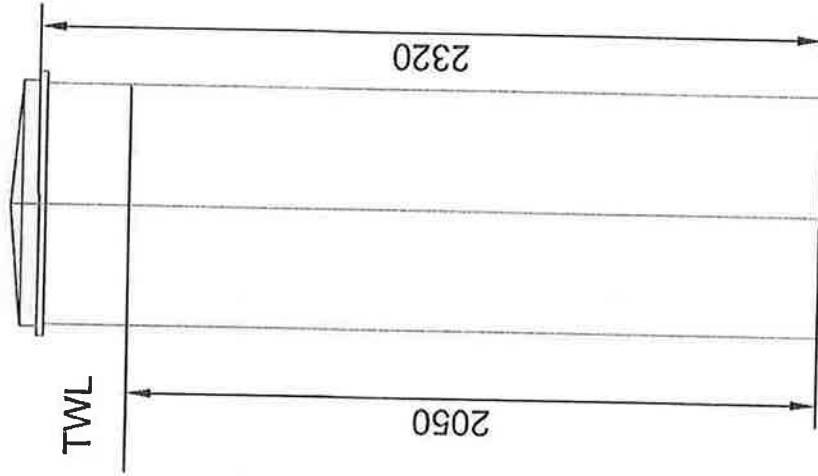
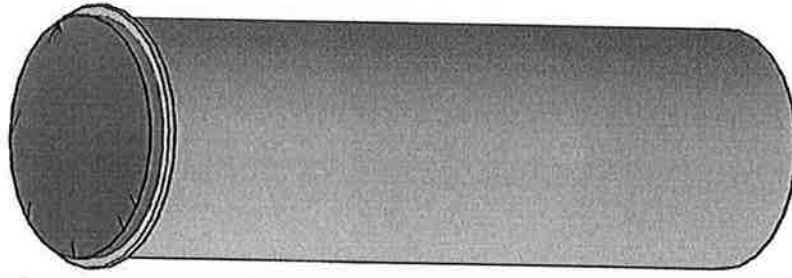
Minister for Health (Deiegate)

SA
 Approved K. Manji
 Date 16/12/13
 WCS 2013-13/43
 Attachment 2/4
 Initials KM



Certified Product
 Australian Standard
 AS/NZS 1546.1
 Lic. SMIKB 20032
 SAI Global

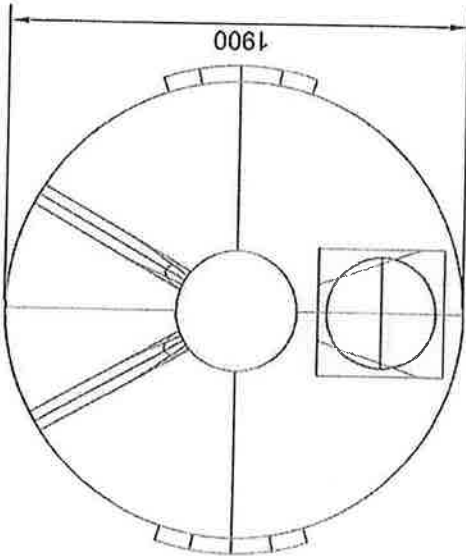
OZZI KLEEN
COLLECTION WELL
MODEL PT850
850 LITRE CAPACITY



Suncoast Waste Water Management

50 INDUSTRIAL AVE KUNDA PARK QLD 4356 PH: +61 7 5459 4900 PH: +61 7 5405 4677 www.ozzi.com.au	CLIENT GENERAL	DESIGN MC
	PROJECT COLLECTION WELL PT850	DRAWN DC
	TITLE GENERAL ARRANGEMENT	CHKD MC
	DWG NO. GA-PT850-H10	DATE 06/09/08
		SCALE NTS

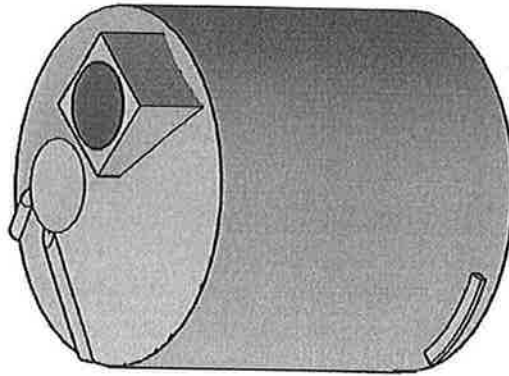
DATE	DESCRIPTION	REV.	BY
	GENERAL REVISION	1	DC



OZZI KLEEN
COLLECTION WELL
MODEL PT4000
4150 LITRE CAPACITY



Australian Standard
 AS/NZS 1546.1
 Lic. SMK8 20032
SAI Global



Minister for Health (Delegate)
 SA

Approved K. Mangi

Date 16/12/13

WCS 2013-13143

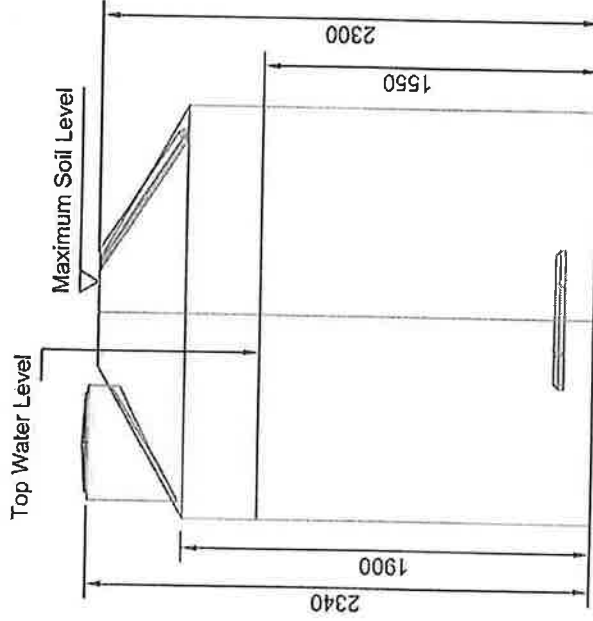
Attachment 414

of

Initials EM



Suncoast Waste Water Management



DATE	DESCRIPTION	REV.	BY	DC
		1		DC

39 INDUSTRIAL AVE SUNCOAST WASTE WATER OLD 4526 PH +61 7 5459 4900 FAX +61 7 5456 4077 www.ozzikleen.com	CLIENT GENERAL	DESIGN MC
	PROJECT COLLECTION WELL PT4000	DRAWN DC
	TITLE GENERAL ARRANGEMENT	CHKD MC
	DWG NO. GA-PT4000-H10	DATE 02/08/08
		SCALE NTS