



Government of **Western Australia**
Department of **Health**

Our ref EHB-03008
Enquiries Henry Tan (9388 4936)

Mr Adam Prescott
General Manager
Suncoast Waste Water Management
59 Industrial Avenue,
Kunda Park, QLD 4556

Dear Mr Prescott

APPROVAL OF OZZI KLEEN AEROBIC TREATMENT UNIT MODEL RP-10 & RP-10A+

I am pleased to advise that approval has been granted for use of the Ozzi Kleen Aerobic Treatment Units in Western Australia under:

- Brand name: Ozzi Kleen
- Model name: RP-10 & RP-10A+

Approval is granted in accordance with the attached conditions of approval and the approved plans.

The above documents all bear the official approval stamp of the Western Australian Department of Health (DOH). These documents may not be altered in any manner without the prior approval of the Chief Health Officer.

All local governments will be advised of this approval and shall be provided with full copies of the approval documentation.

Please note that Ozzi Kleen RP-10 & RP-10A+ can only be installed and maintained by Suncoast Waste Water Management authorised agents.

If you have any questions regarding this approval, please contact the Water Unit on (08) 9388 4999.

Yours sincerely

Richard Theobald
delegate of
CHIEF HEALTH OFFICER
3 February 2017

W:\Public Health\EHD\Water Unit\WASTEWATER MANAGEMENT\WASTE\Product Approvals\PreApproval Documents\ATUs\Ozzi Kleen\2017\OzziKleen - Approval Jan 2017 - Approval Letter.doc



Ozzi Kleen Aerobic Treatment Units

Approval Number: EHB-03008

CONDITIONS OF APPROVAL

This is to certify that the Ozzi Kleen Aerobic Treatment Units

Model Designation: **RP-10 & RP-10A+**

Manufactured by: **Suncoast Waste Water Management
59 Industrial Avenue
Kunda Park QLD 4556**

is approved by the Chief Health Officer under the *Health (Treatment of Sewage and Disposal of Effluent and Liquid Waste) Regulations 1974* for use within Western Australia in accordance with the conditions specified in Schedule 1 & 2.

Date of Issue: 3 February 2017

This approval is valid till 14 August 2021 or until withdrawn by the Chief Health Officer.

A handwritten signature in black ink, appearing to read 'Richard Theobald'.

Richard Theobald
delegate of
Chief Health Officer

SCHEDULE 1: GENERAL DESCRIPTION

Specification Summary for Ozzi Kleen Model RP-10 & RP-10A+

Characteristics		RP-10	RP-10A+
Maximum daily influent volume		2000L/day	
Approved disposal method		<ul style="list-style-type: none"> • Surface irrigation • Sub-surface irrigation • Sub-strata irrigation • Leach drains • Soakwells 	
Disinfection method		Chlorination	
Alum dosing unit		No	Yes
Effluent quality	Biochemical Oxygen Demand	<20 mg/L	<10mg/L
	Total Suspended Solids	<30 mg/L	<10mg/L
	<i>E. coli</i>	<10 cfu or MPN/100mL	
	Chlorine concentration	0.5 to 2 mg/L	
	Total Nitrogen	NA	<10mg/L
	Total Phosphorus		<5mg/L

SCHEDULE 2: CONDITIONS OF APPROVAL

1. General

- 1.1 The "Ozzi Kleen RP-10 & RP-10A+" are approved to serve single dwelling units up to 10 person capacity (or non-residential developments with a combined wastewater flow of up to 2000L per day).
- 1.2 No alteration to the design or specification of the "Ozzi Kleen RP-10 & RP-10A+" ATUs shall occur without prior approval of the Chief Health Officer.
- 1.3 Any changes to the design or the construction of the "Ozzi Kleen RP-10 & RP-10A+" ATUs shall be submitted for assessment and approval to the Department of Health before being made commercially available in Western Australia.
- 1.4 Conditions of approval may be varied or withdrawn at the discretion of the Chief Health Officer.
- 1.5 Each "Ozzi Kleen RP-10 & RP-10A+" ATU shall be permanently and legibly marked on a non-corrosive metal plaque or equivalent, attached to the lid with the following information:
 - The brand name of the system;
 - The manufacturer's name or registered trademark;
 - The month and year of manufacture.
- 1.6 The manufacturer shall provide the following information to each Local Government where it is intended to install an ATU in their area once Departmental Approval has been obtained:
 - Statement of warranty
 - Statement of service life
 - Quality Assurance Certification
 - Installation Manual
 - Service Manual
 - Owner's Manual
 - Service Report Form
 - Engineering Drawings on A3 format
 - Detailed Specifications
 - A4 Plans
 - Approval documentation from Department of Health WA.

2 Installation and Commissioning

- 2.1 For each installation, an application for approval to install shall be in the form of an application to install an apparatus as required under the *Health (Treatment of Sewage and Disposal of Effluent and Liquid Waste) Regulations 1974*. Each application for installation shall be made to the Local Government and include full plans and

specifications, a completed *Application to Construct or Install an Apparatus for the Treatment of Sewage* form, and pay all fees as prescribed.

- 2.2 Installation of each "Ozzi Kleen RP-10 & RP-10A+" ATU shall be carried out only by installers authorised by Suncoast Waste Water Management.
- 2.3 The installation of each "Ozzi Kleen RP-10 & RP-10A+" ATU shall comply with Part 2 of the Department of Health *"Code of Practice for the Design, Manufacture, Installation and Operation of ATUs Serving Single Dwellings, November 2001"*.
- 2.4 The Local Government should require that on completion of the installation of the "Ozzi Kleen RP-10 & RP-10A+" ATUs, the system is inspected and checked by the manufacturer or the manufacturer's agent. The manufacturer or the agent is to certify that the system has been installed in accordance with Part 2 of the Department of Health *"Code of Practice for the Design, Manufacture, Installation and Operation of ATUs Serving Single Dwellings, November 2001"* and commissioned in accordance with its design, conditions of Approval and any additional requirements of the Local Government".
- 2.5 All necessary measures shall be taken by Suncoast Waste Water Management (or their authorised agents) as directed by the Chief Health Officer to rectify any "Ozzi Kleen RP-10 & RP-10A+" ATU installation should it be demonstrated to fail in meeting condition (2.4) above.
- 2.6 The Local Government should require that all electrical work must be carried out by a licensed electrician and in accordance with the relevant provisions of AS/NZS 3000.
- 2.7 The "Ozzi Kleen RP-10 & RP-10A+" ATUs shall be supplied, constructed and installed in accordance with the design as submitted and accredited by the Department of Health WA.
- 2.8 The manufacturer shall supply with each "Ozzi Kleen RP-10 & RP-10A+" ATU an owner's manual, which sets out the care, operation, and maintenance and on-going management requirements of the system.

3 Maintenance and Servicing

- 3.1 The Local Government shall require the owner/occupier of a premise to enter into a 3 monthly service contract with a representative of Suncoast Waste Water Management.

- 3.2** The “Ozzi Kleen RP-10 & RP-10A+” ATUs shall be serviced at three monthly intervals in accordance with the details set out in the owner's and service manual.
- 3.3** Each three monthly service shall include a check on all mechanical, electrical and functioning parts of the system including:
- Pumps and air blower
 - The control panel and alarm system
 - Slime growth on the filter media
 - The operation of the chlorine disinfection unit
 - The operation of the sludge return system
 - Sludge built up in the sedimentation Chamber
 - On-site testing for free residual chlorine, pH and dissolved oxygen
 - The effluent irrigation area
- 3.4** The Local Government should require that a service report sheet, in triplicate, is completed for each service. The original shall be given to the owner, the duplicate forwarded to the Local Government and the triplicate retained by the service contractor.

4 On-going Management

- 4.1** The owner's manual prepared by the manufacturer shall contain a plan for the on-going management of the “Ozzi Kleen RP-10 & RP-10A+”. The plan shall include details of:
- the treatment process
 - procedures to be followed in the event of a system failure
 - emergency contact numbers
 - maintenance requirements
 - inspection and sampling procedures to be followed as part of the on-going monitoring program developed by the Local Government.
- 4.2** At each anniversary of the Approval date the manufacturer shall submit to Department of Health WA a list of all “Ozzi Kleen RP-10 & RP-10A+” ATUs installed in WA during the previous twelve months. Department of Health WA will randomly select up to 10% of the installed “Ozzi Kleen RP-10 & RP-10A+” ATUs from each year of installation. The manufacturer, at its own cost, shall arrange for the selected “Ozzi Kleen RP-10 & RP-10A+” ATUs to be inspected and sampled. Sampling is to be organised by an independent JAS/ANZ accredited agency. Samples are to be analysed by a NATA registered laboratory, and samples for disinfectant concentration, if applicable, are to be determined on site. The results are to be reported to Department of Health WA by:
- address of premises
 - date inspected and sampled
 - sample identification number
 - BOD5

- SS
- *E. coli*
- Total Nitrogen (RP-10A+ only)
- Total Phosphorus (RP-10A+ only)
- disinfectant concentration, and
- service history

4.3 Effluent from the "Ozzi Kleen RP-10 & RP-10A+" ATUs taken in any random grab sample shall comply with the effluent quality detailed in Schedule 1.

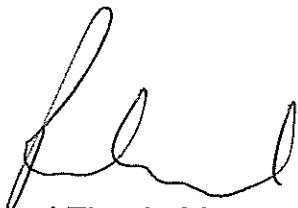
5 Permitted uses

5.1 The approved disposal methods for the effluent from the "Ozzi Kleen RP-10 & RP-10A+" ATUs detailed in Schedule 1 and must be installed in accordance with Part 2 of the Department of Health "*Code of Practice for the Design, Manufacture, Installation and Operation of ATUs Serving Single Dwellings, November 2001*" or AS/NZS 1547:2012.

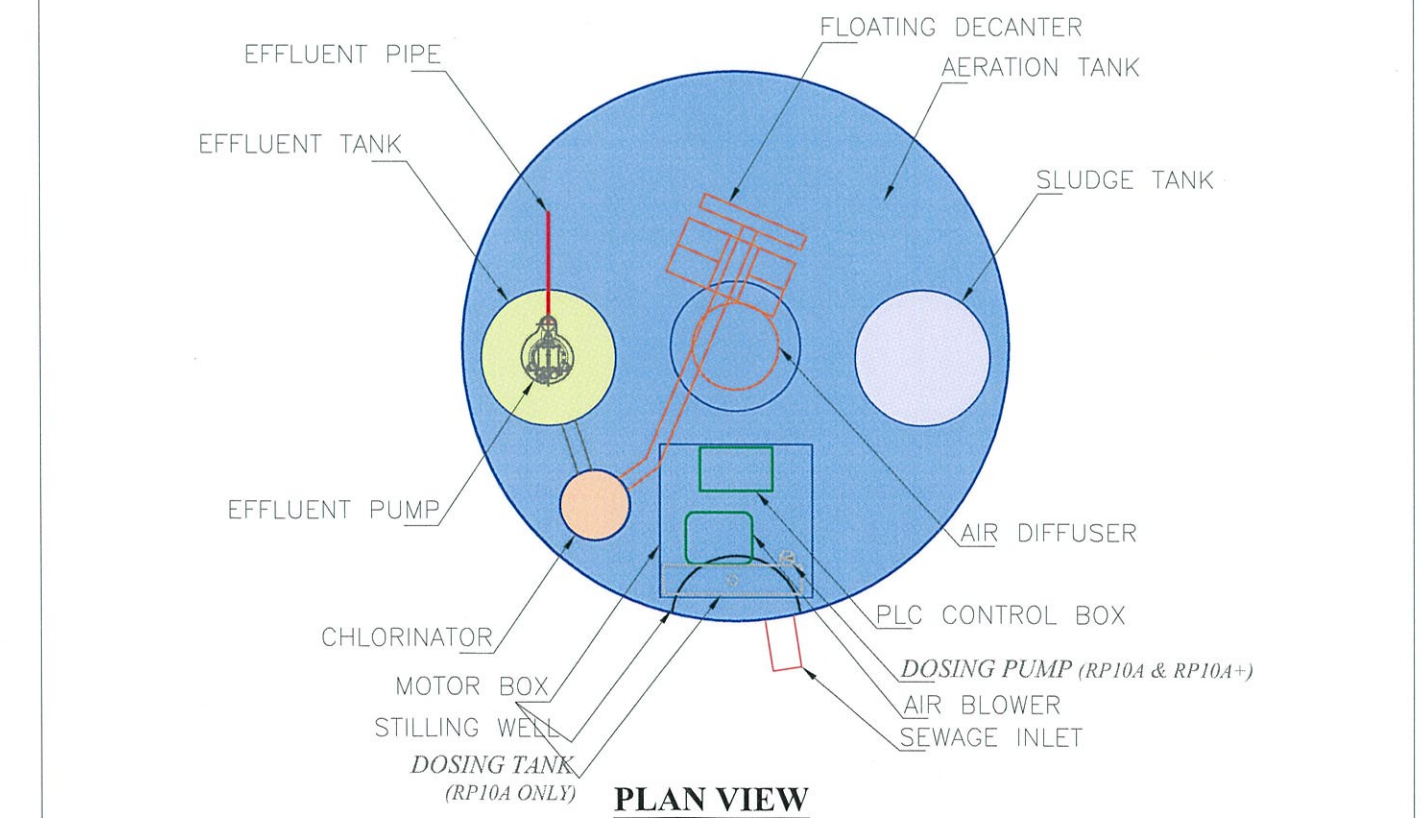
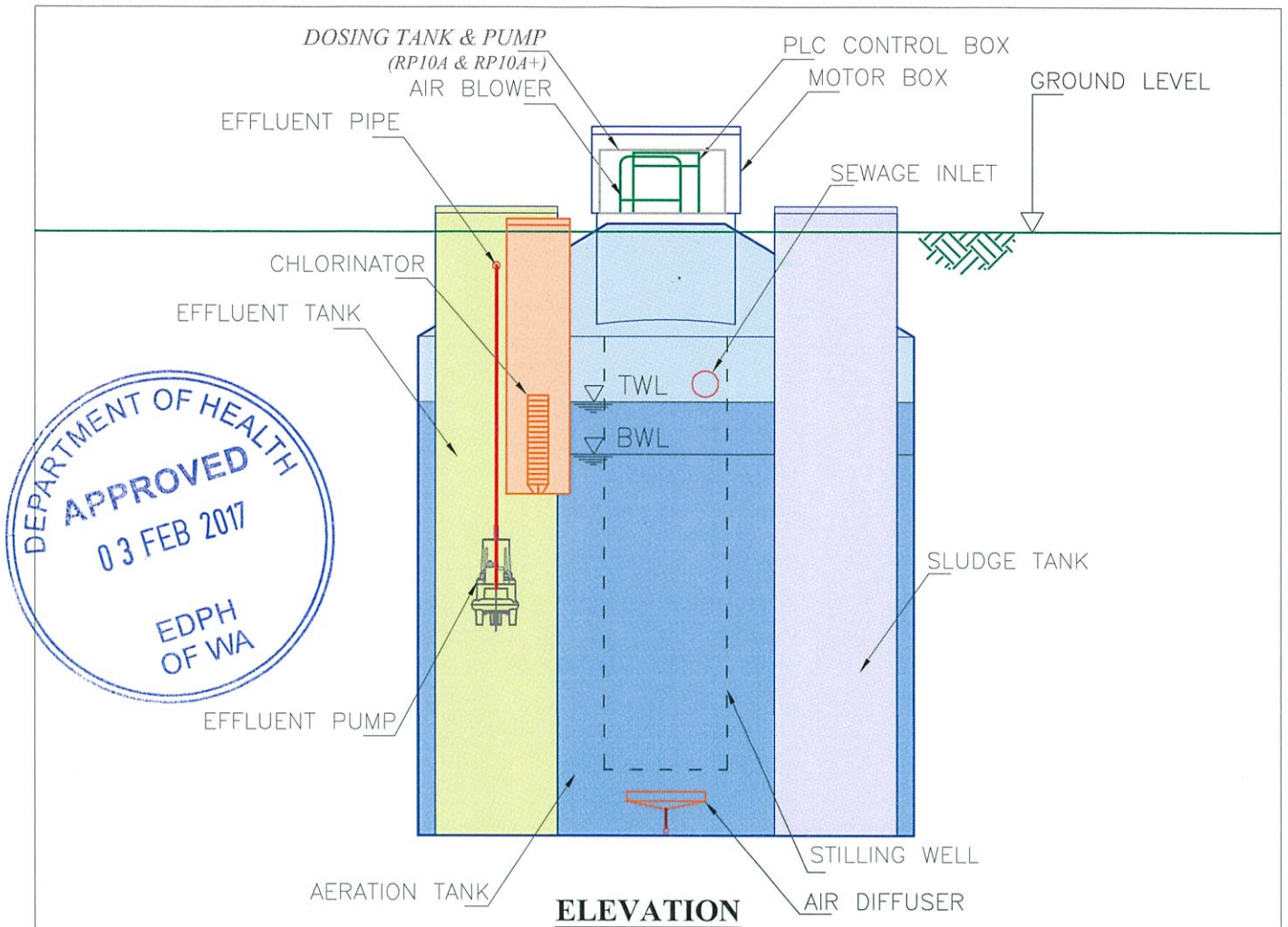
5.2 Disposal method for the systems onsite is subject to the approval of the Local Government.

6 Reduction in nutrient levels

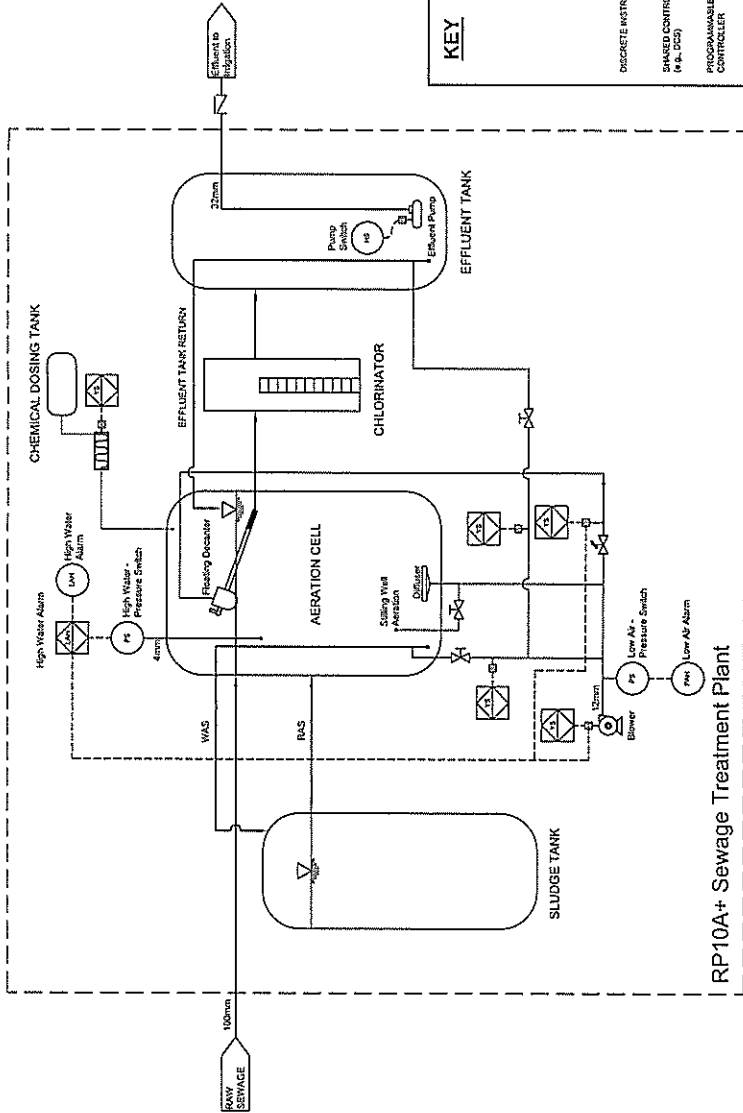
The "Ozzi Kleen RP-10A+" ATU has been certified as a nutrient removal system capable of producing effluent quality detailed in Schedule 1.



Richard Theobald
delegate of
CHIEF HEALTH OFFICER



20/12/16	RP10A+ Notation	3	ARP	<p>59 INDUSTRIAL AVE KUNDA PARK QLD 4556 PH +61 7 5459 4900 FAX +61 7 5456 4677 www.ozzicleen.com</p>	CLIENT	GENERAL	DESIGN	AP
02/09/13	AIR DIFFUSER LOCATION UPDATED	2	SB		PROJECT	Ozzi Kleen RP10 PACKAGE STP	DRAWN	SB
28/08/08	GENERAL REVISION	1	DC		TITLE	SYSTEM DIAGRAM	CHKD	AP
DATE	DESCRIPTION	REV.	BY		Suncoast Waste Water Management		DATE	02/09/13
					DWG NO.	GD-RP10-H10.B	SCALE	NTS



KEY

Submersible Pump	Motor	Local/Remote Control	Concrete Instrument	On-Central In The Field Control	On-Central In The Field Control	Check Valve	Manual Isolation Valve	Manual Isolation Valve	Blower
Submersible Pump	Motor	Local/Remote Control	Concrete Instrument	On-Central In The Field Control	On-Central In The Field Control	Check Valve	Manual Isolation Valve	Manual Isolation Valve	Blower
Submersible Pump	Motor	Local/Remote Control	Concrete Instrument	On-Central In The Field Control	On-Central In The Field Control	Check Valve	Manual Isolation Valve	Manual Isolation Valve	Blower
Submersible Pump	Motor	Local/Remote Control	Concrete Instrument	On-Central In The Field Control	On-Central In The Field Control	Check Valve	Manual Isolation Valve	Manual Isolation Valve	Blower
Submersible Pump	Motor	Local/Remote Control	Concrete Instrument	On-Central In The Field Control	On-Central In The Field Control	Check Valve	Manual Isolation Valve	Manual Isolation Valve	Blower

OZZIKLEEN Water & Waste Water		Suncoast Waste Water Management	
40 INDUSTRIAL AVE AUSTIN PARK QLD 4111 PH +61 7 5492 4500 FAX +61 7 5498 4877 www.ozzikle.com	CLIENT: GENERAL	PROJECT: RP10A+ SEWAGE TREATMENT PLANT	REVISION: AP
	TITLE: PIPING & INSTRUMENTATION DIAGRAM	DATE: 04/01/17	DRAWN: AP
	DWG No. CD-RP10A+---HQ7a	SCALE:	DATE: 04/01/17
			REVISION: AP
			DATE: 04/01/17
			SCALE: